

2714-005 Series

Pneumatic Cord and Yarn Grips

Pneumatic cord and yarn grips provide a convenient method for clamping fiber, cord, yarns and fine wires to reduce the problem associated with testing these materials. A specially designed horn with a smooth finish and a contoured surface with a graduated cam allows for easy loading and a stress reduced clamping area on the specimen. The clamping mechanism can be activated either automatically or through a foot switch. This allows hands-free grip operation enabling the specimen to be held with both hands, for easy loading. Pneumatic cord and yarn grips provide selectable clamping force to accommodate different materials and excellent follow-up action which compensates for decay of the holding force due to specimen creep.

Features

- Rated capacity: 1 kN (100 kgf, 225 lbf)
- Pneumatic clamping of the specimen with follow-up clamping action
- Adjustable gripping force to reduce breakage at the clamping point
- Guide horn allows for easy loading with minimal specimen damage
- Suitable for a wide range of linear densities (denier and tex)
- Follow up action to reduce slippage
- Quick grip release for increased productivity
- Optional automatic air kit with pretension and remote control for easy loading and improved efficiency

Application Range

- Type of loading: Tension. Not suitable for through zero/ reverse stress or fatigue testing
- Specimen material: Fine wires, cords, yarns, mono-filaments
- Specimen shapes: Round

Principle of Operation

Where the gripping area of mono-filaments, cord and yarn is small in relation to the strength, normal techniques using standard grip faces usually result in specimen failures adjacent to the jaw faces. The pneumatic cord and yarn grips have been designed specifically to overcome the problem of specimen failure by incorporating a capstan design which evenly distributes the gripping force over the surface of a curved half capstan through friction. In addition, the pneumatically cushioned gripping force applied to the ends of the specimen compensates for the decay of force due to specimen creep. The pneumatics activate a moveable face, which acts upon a contoured fixed gripping face. This serves as a capstan and provides support for the specimen, making the transition from the free stressed length of specimen to the rigidly clamped portion gradually rather than abruptly, thus minimizing breakage of the specimen adjacent to the jaw face. The capstan also incorporates a polished guide horn, which assists in rapid specimen loading. The polished finish prevents damage to individual fibres during specimen insertion. The specimen is placed over the top of the horn and slides down to the proper gripping position on the contoured clamp. The grips may be closed or opened by a pneumatic foot switch for hands-free operation. An automatic air kit is also available for hands-free, automated, and pretension testing via software or system default settings.

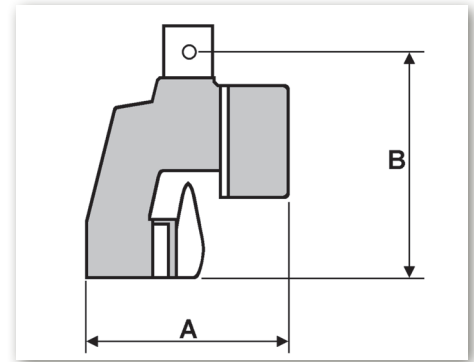


Mechanical Connection

Catalog Number		2714-005
Maximum Capacity	kN	1
	kgf	100
	lbf	225
Upper Fitting	mm	6 clevis pin (Type Om)
Lower Fitting	mm	6 clevis pin (Type Om)
Overall Width	mm	146
	in	5.75

Effective Length (B)

Upper Grip	mm	148
	in	5.8
Lower Grip	mm	148
	in	5.8
Weight (Upper Grip)	kg	1.14
	lb	2.52
Temperature Range	°C	-10 to +80
	°F	+14 to +176
Working Principle		Pneumatic single moving face clamping
Gripping Force at Max. Air Pressure	kN	5.0
	lbf	1,124
Clamping Length	mm	38
	in	1.5
Gripping Surface		Smooth, polished
Maximum Air Pressure		6.2-bar (90 PSI)
Maximum Specimen Length at Zero Grip Separation	mm	168
	in	6.6
Maximum Specimen Diameter	mm	3.2
	in	0.125



Grip dimensions



Close-up of horn and clamping face



Automatic air control kit for pre-tension control



Pneumatic foot switch

Notes:

1. Grip catalog number provides two grips.
2. Upper grip may require mechanical attachment coupling to connect to the load cell or machine base.
3. Upper grip may require a flexible coupling for certain applications.
4. Automatic air control kit or pneumatic footswitch will be required for operation of these grips.
5. Alternate face sizes or surfaces are not available for this grip.

Accessories

Catalog Number	Description
2801 - 018	Air compressor, portable 115 V AC
2801 - 060	Air compressor, portable 230 V AC
2701 - 004	Pneumatic footswitch plus 3300, 5800, 5900
2701 - 065	Automatic air control kit for 4400, 5500 (excluding 4411) and upgrades (excluding 1130, 6000, 4500 and TTs)
2701 - 067	Automatic air control kit for 4411 and upgrades on 1130s

www.instron.com


Worldwide Headquarters
825 University Ave, Norwood, MA 02062-2643, USA
Tel: +1 800 564 8378 or +1 781 575 5000

European Headquarters
Coronation Road, High Wycombe, Bucks HP12 3SY, UK
Tel: +44 1494 464646

Instron Industrial Products
900 Liberty Street, Grove City, PA 16127, USA
Tel: +1 724 458 9610

Instron is a registered trademark of Illinois Tool Works Inc. (ITW). Other names, logos, icons and marks identifying Instron products and services referenced herein are trademarks of ITW and may not be used without the prior written permission of ITW. Other product and company names listed are trademarks or trade names of their respective companies. Copyright © 2012 Illinois Tool Works Inc. All rights reserved. All of the specifications shown in this document are subject to change without notice.